

*All parts marked in GRAY, please call PDP directly.

ITEM NO.	DESCRIPTION	PART NUMBER	QTY.
1	FRAME ONLY	SW-375FM	1
2	GEARBOX ASSEMBLY	GBX-AY375	1
3	GEARBOX (LARGE)	GBX-375	1
4	GEARBOX LARGE OUTPUT DRIVE SPROCKET	60B23TX1.5	1
5	GEARBOX LARGE INPUT DRIVE SPROCKET	50B18X1.125	1
6	DRIVE SHAFT SPROCKET CHAIN	60NPX62	1
7	GEARBOX CONNECTION CHAIN	50NPX48	1
8	GEARBOX (SMALL)	GBX-100	1
9	GEARBOX 5" PULLEY	PLY-5	1
10	GEARBOX SMALL DRIVE SPROCKET	50B20X78	1
11	2 HP DC MOTOR	MTR-2300	1
12	MOTOR BRACKET	MTR-2300B	1
13	DC MOTOR PULLEY	PLY-2	1
14	DC MOTOR BELT	4L-230 (AX21)	1
15	CONTROL BOX ASSEMBLY	CBX-AY375	1
16	MOTOR BOX DC CIRCUIT BOARD-36V	BLDC-ULPCB-36V	1
17	CONTROL BOX	CBX-375	1
18	LINE-IN HARNESS	COM-1016	1
19	BATTERY WIRE HARNESS	BTY-H375	1
20	CONTROL BOX BRIDGE RECTIFIER	COM-1006	1
21	CONTROL BOX ALARM BUZZER	COM-1005	1
22	CONTROL BOX RESET PUSH BUTTON	COM-1004	1
23	CONTROL BOX RADIO RECEIVER STRIP	COM-1003	1
24	POWER SUPPLY BOARD	EMI-PCB	1
25	CONTROL BOX ON/OFF POWER SWITCH	COM-1000	2
26	POWER SUPPLY BOX 110VAC OUTLET	COM-1001	1
27	CONTROL BOX COVER	CBC-375	1
28	LIMIT SWITCH ASSEMBLY	LSA-AY375	1
29	LIMIT SWITCH COLLAR	LSC-375	2
30	LIMIT SWITCH	COM-1007	2
31	LIMIT SWITCH WIRE HARNESS	LSH-375	1
32	LIMIT SWITCH MOUNTING BRACKET	LSM-B375	1
33	BATTERY BOX ASSEMBLY	BTY-AY375	1
34	14 AH BATTERIES	BTY-1215	3
35	BATTERY SHELF	BTS-375	1
36	BATTERY SHELF PLATE	BTP-375	2
37	TORQUE LIMITER ASSEMBLY	TLA-AY375	1
38	SWINGER ARM HUB	HUB-375	1
39	TORQUE LIMITER NUT ROUND	TLN-375	1
40	TORQUE LIMITER PRESSURE PLATE	TLPP-375	1
41	TORQUE LIMITER SPRING WASHER	TLW-375	2
42	TORQUE LIMITER TOP PLATE	TLT-375	1
43	TORQUE LIMITER FRICTION DISC (2 PCS)	TLD-375	2
44	TORQUE LIMITER SPROCKET	60A45X5	1
45	TORQUE LIMITER BUSHING	TLB-375	1
46	TORQUE LIMITER HUB	TLH-375	1
47	DRIVE SHAFT	DST-375	1
48	DRIVE SHAFT BEARING	BRG-211F	2
49	LOOP RACK	LPR-2	1
50	LOOP RACK WIRE HARNESS (20')	LPR-H375	1
51	EXTERIOR METAL COVER	EMC-375	1
52	EXTERIOR METAL HUB COVER	EHC-375	1
53	POWER SUPPLY BOX TRANSFORMER	TFR-1000	1
54	SWINGER TORQUE LIMITER WRENCH	STE-375	1

ALL-O-MATIC, Inc.
 7820 Gloria Ave. Phone: (818) 787-1988
 Van Nuys CA, USA 91406
 EMAIL: fortino@allomatic.net

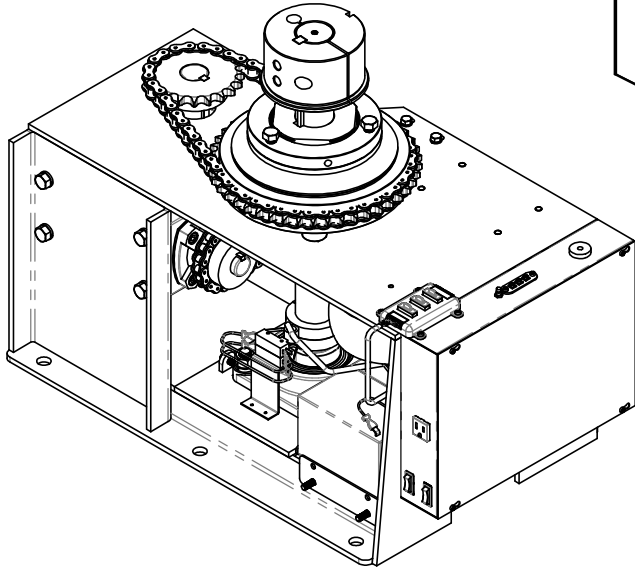
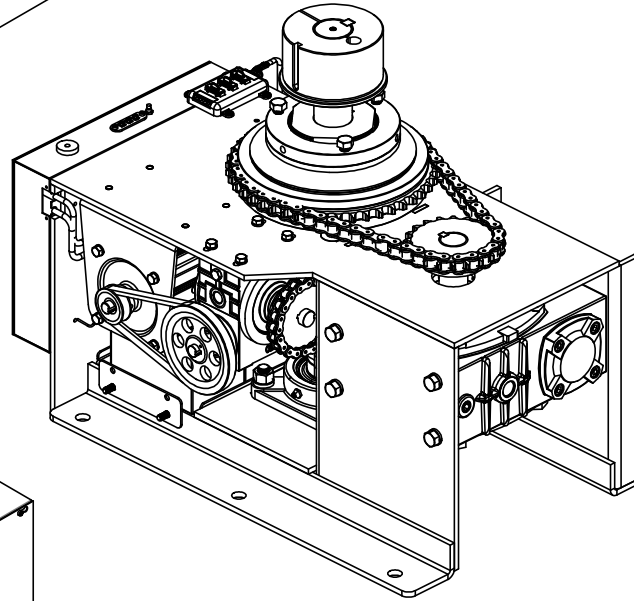
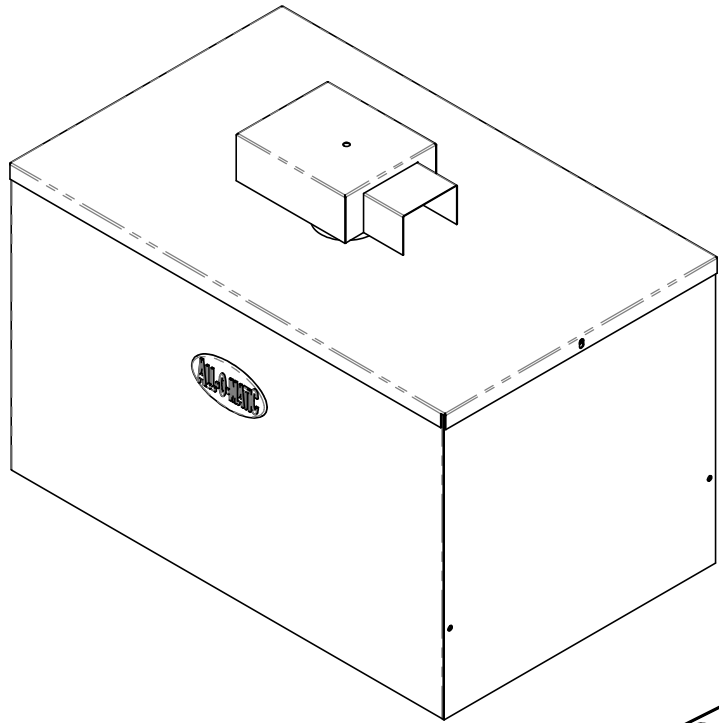
DIMENSIONS ARE IN INCHES
 BREAK SHARP EDGES 10-40
 MACHINED SURFACE FINISH IS
 16 MICROMETERS
 DO NOT SCALE DRAWING

THE INFORMATION DISCLOSED HEREIN WAS ORIGINATED BY
 AND IS THE PROPERTY OF ALL-O-MATIC, INC. AND ALL PATENT,
 PROPRIETARY, DESIGN, USE, SALE, MANUFACTURING, AND
 REPRODUCTION RIGHTS THEREIN ARE RESERVED BY
 ALL-O-MATIC, INC.

DRAWN BY: S. HUERTA DATE: 10/17/2022 CHECKED BY: F. TARULA DATE: _____
 MATERIAL: _____
 RAW MAT: _____

TITLE: **SW-375DC**

SHEET 1 OF 2 SCALE: 1:5 DRAWING SIZE: C PART: SW-375DC



4

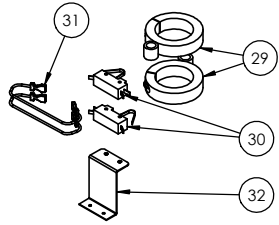
3

2

1

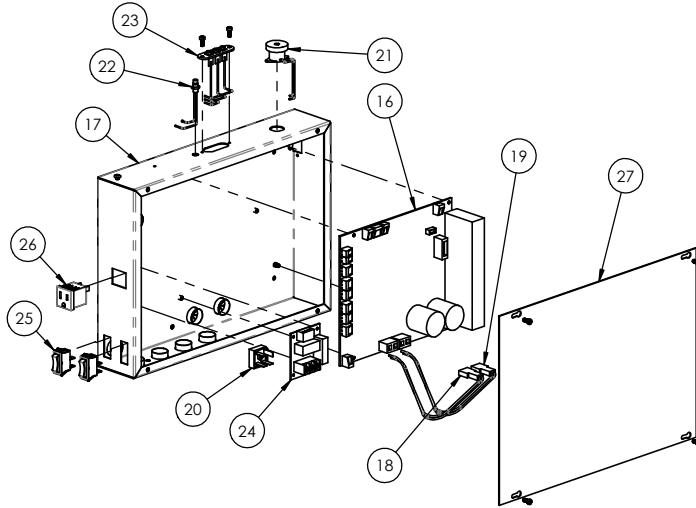
4

LIMIT SWITCH ASSEMBLY:
LSA-AY375 (28)



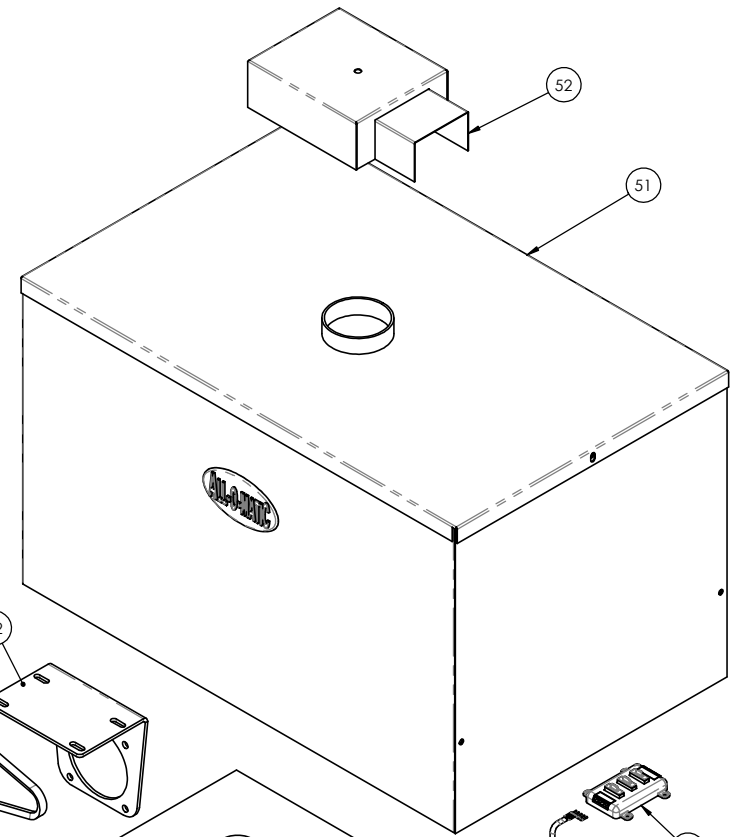
3

CONTROL BOX ASSEMBLY:
CBX-AY375 (15)

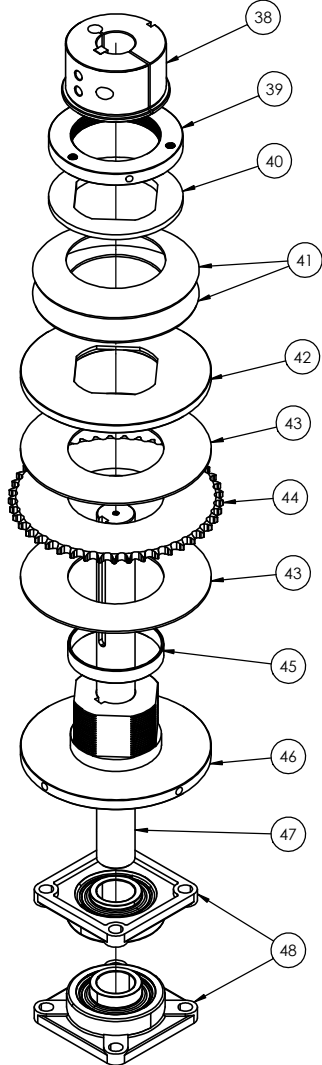


2

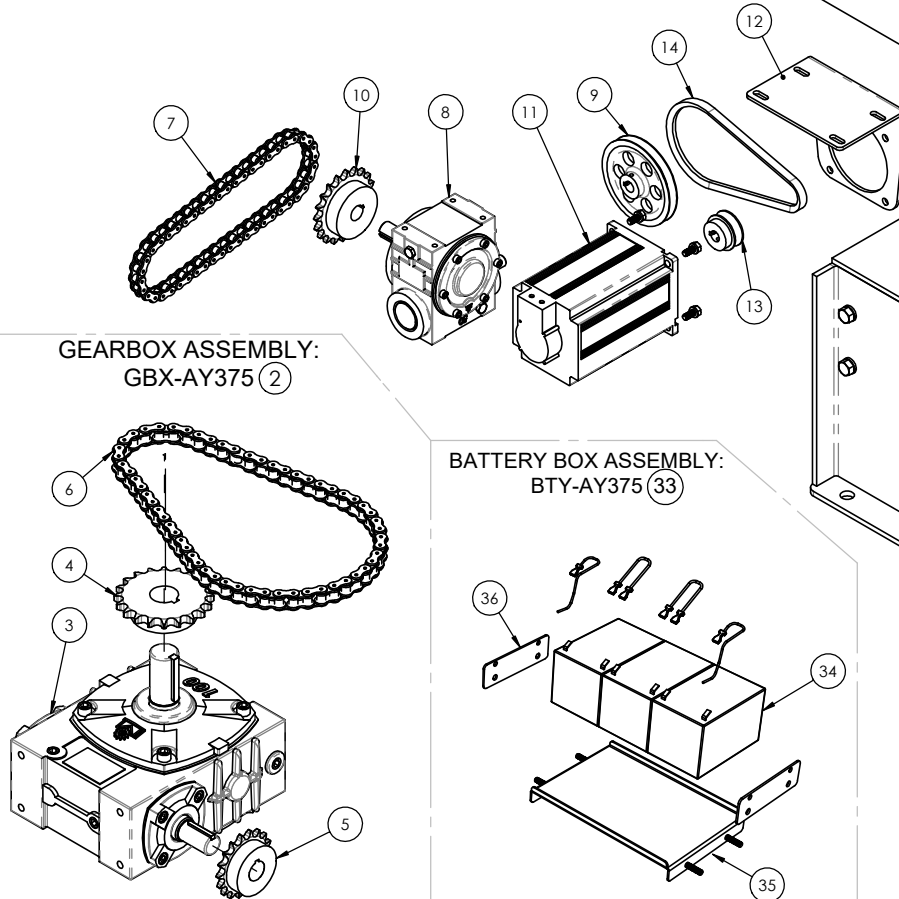
1



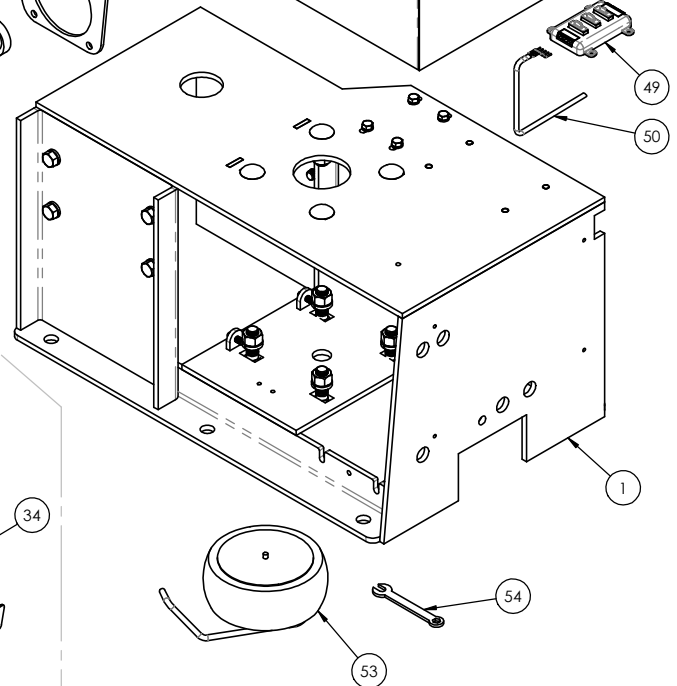
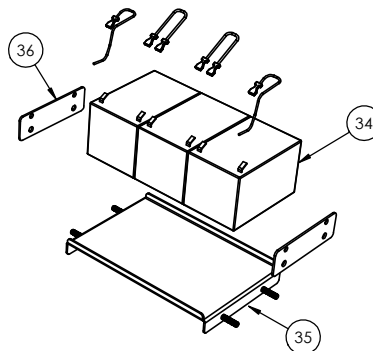
TORQUE LIMITER ASSEMBLY:
TLA-AY375 (37)



GEARBOX ASSEMBLY:
GBX-AY375 (2)



BATTERY BOX ASSEMBLY:
BTY-AY375 (33)



4

3

2

1